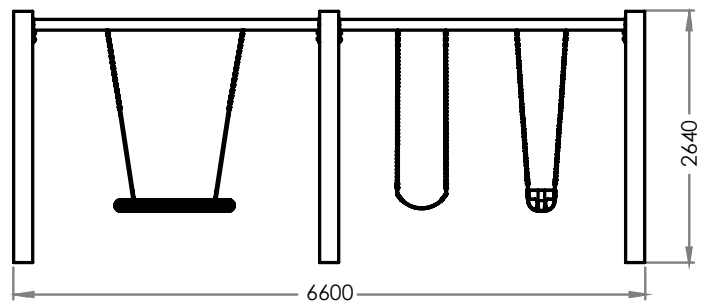




Material Specifications

Milled Ironbark timber posts (200x200mm)
Powder-coated galvanised steel crossbar
Rubber swing seats
Rope basket swing seat
Stainless steel chains
Stainless steel fixings



Equipment Specifications

Max FHOH 1500mm
Fall zone area 57m²
Highest point 2640mm

Standards

AS4685 series

General Product Information

Age Group 3+
Colour options available
Spare parts available
Heaviest part Ironbark posts
- machinery required

